

**DESCRIPTION****Steel cassette:**

Waterproof steel cassette

**Hydraulic unit:**

- Hard-chrome plated cylinder
- Flexible synchronization and safety system
- Corrosion-free guiding elements
- Hydraulic pump unit with immersed motor
- Ecological hydraulic fluid
- Pneumatic emergency lowering
- Programmable push-button control unit
- Great stability, even with uneven weight distribution, due to the cylinder diameter of 213 mm

**Superstructure:**

- Double-telescopic arms
- Internal arm locking system
- Low minimum height
- Perfect for sports cars with a minimum height under 100 mm

**Standard colors:**

- Base plates: RAL 7016 – grey
- Arms: RAL 3020 – red

**Versions****Steel cassette:**

- Hot galvanized
- Coated
- Self-carrying (Saa 230)

**Versions:**

- Saa 230 & Saa 265

**Installation:**

- Superstructure on floor
- Superstructure in floor with covers (Saa 230)
- Ceiling installation (Saa 230)

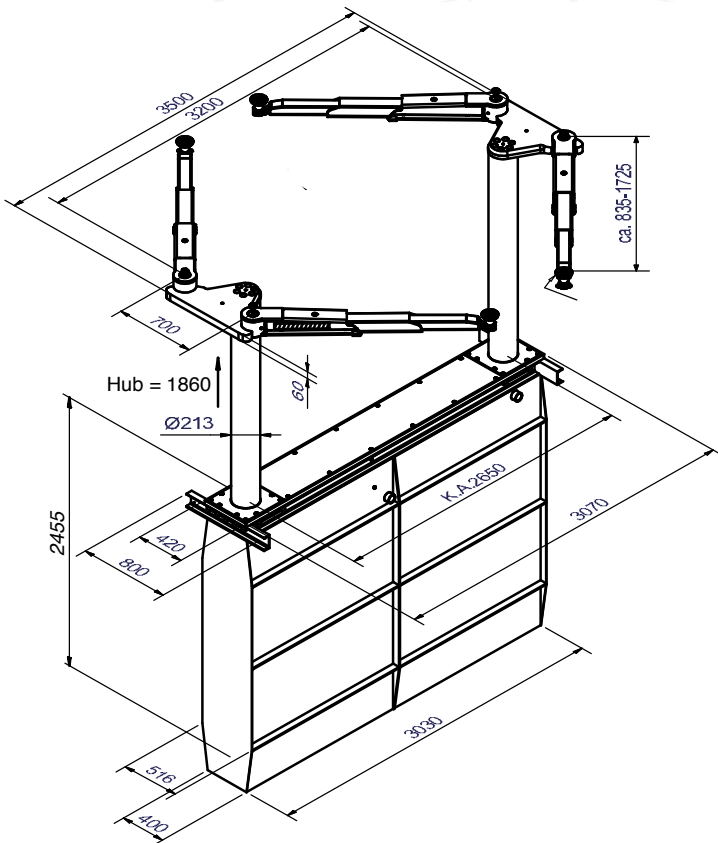
**Options:**

- Large program of extra pads
- Special colours available on request



Specifications/images subject to change without prior notice. Images are for illustration purposes only. To validate warranty, proof of a valid maintenance contract will be required. Product of Germany 

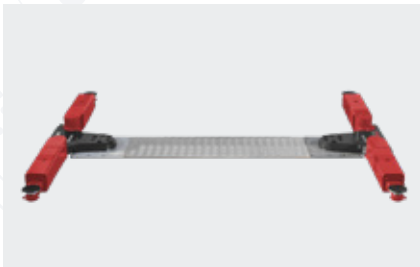
DESCRIPTION



Tech Specs	SGL55
Lifting capacity	up to 5,500 kg
Stroke length:	1,860 mm
Working height	1,995 – 2,055 mm
Cylinder diametre	2 x 213 mm
Distance between cylinders	Saa 230: 2,150 mm – Saa 265: 2,650 mm
Lifting / lowering time	~45 sec.
Foundation depth	2,625 mm
Pump unit	3.0 kW
Hydraulic oil	17 l
Voltage	230/400 V/ 50 Hz/ 16A

Arm Superstructure	SGL55
Total width	3,500 mm
Lifting pad	11,028 (35-195 mm)
Drive-through width	Saa 230: 1,930 mm – Saa 265: 2,430 mm
Min. height	135 – 195 mm
Arm length	835 – 1,725 mm

\*\*\*\*\*  
**PRODUCT OF GERMANY**



Specifications/images subject to change without prior notice. Images are for illustration purposes only. To validate warranty, proof of a valid maintenance contract will be required. Product of Germany