

### DESCRIPTION

#### Heavy Vehicle Axle Stand

With a capacity of 8t the LiftMax axle stand is the ideal accessory to complement LiftMax's heavy duty column lifts.

It can replace the column lift to support the vehicle after column lift lifts it up, allowing your technicians to perform maintenance work under the vehicle.

With the use of axle stands, one set of column lift can lift several vehicles, highly improving your workshop's efficiency.

#### Key Product Features:

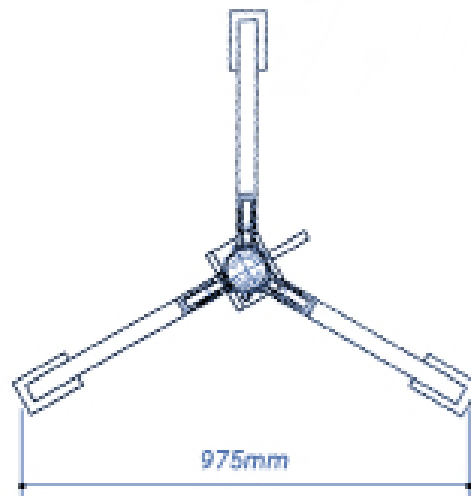
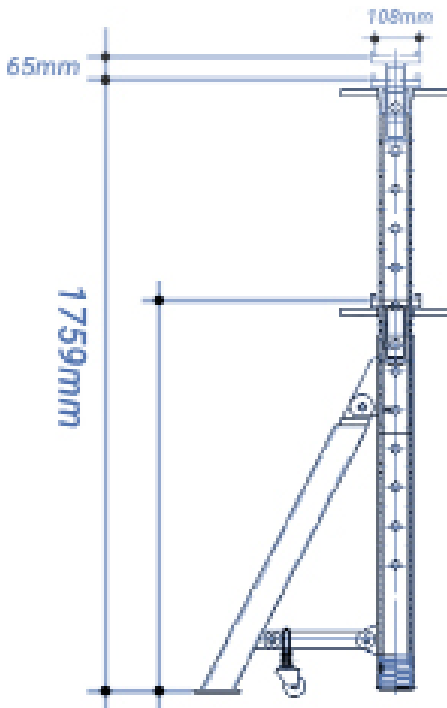
- Three-spring loaded wheels makes it easy to move
- Adjustable Pin for precise height (11 positions)
- Adjustable lifting pad for precise height
- Spring assisted main shaft for safe and easy positioning
- Fully complies with AS 2538: 2016



Tech Specs	LM80S
Capacity	8,000 kg
Min. Height	1,096 mm
Max. Height	1,759 mm
Wheels	Spring loaded swivel castors
Mechanism	Pin locking with screw fine adjustment
Weight	90 kg



**MINE SPEC  
AVAILABLE**



Specifications/images subject to change without prior notice. Images are for illustration purposes only. To validate warranty, proof of a valid maintenance contract will be required.