

DESCRIPTION

High 8.6T capacity

Mobile column lifts offer you a convenient and flexible lifting option for heavy vehicles.

Their exceptional mobility means column lifts don't take up a fixed space in your workshop and can be easily stored away when not in use. Column lifts allow you to do more with your existing workshop space than alternative lifting option such as fixed four post hoists.

LM86W's wireless configuration means there's no power cables for your technicians to trip over while in your workshop. Heavy duty battery power means there's also no need for 3 phase power supply for your column lifts.

High quality Italian engineering and design

LM86W mobile column lifts are made in Italy by LiftMax, a brand developed by Levanta to meet the market's need for heavy-duty, reliable, up-to-date heavy vehicle lifting solutions.

Since their inception in the early 2000s, LiftMax's ongoing product development ensure the brand remains at the forefront of column lifts available to the Australian market.

LM86W column lift features Full function controls on each column

Operators can control the lift from any individual column using the full function controls, selecting a lifting configuration of either full set, single axle (pair), or single column.

The user-friendly 7" colour LCD touch screen displays the column configuration, battery charge, the synchronisation system being used (wireless or cable), working height, and a diagnostic of the current state of repair.

The robust, maintenance-free controls have been designed to withstand the demands of your busy workshop environment.

Adjustable lifting forks

The fully adjustable lifting forks can safely lift a range of wheel diameters.



High quality rechargeable batteries

The 24V DC power system uses premium quality gel cell storage batteries, which can quickly and easily be recharged using the built-in 240V AC 10-amp chargers. Battery life between charges will depend on operational factors, but under normal operating conditions you can expect over 30 lifts before recharging is needed.

Superior mobility and manoeuvrability

Mobility is a crucial factor when choosing a column lift. Thanks to their compact dimensions [1,150 x 1,347 mm] and lower centre of gravity, LM86W column lifts offer you great mobility.

What's more, they come equipped with a steering handle attached to a pallet jack industrial style "easy roll" full bearing wheel, that's lockable in position you by lowering onto ground. This unique design can achieve a turning angle of approximately 180°.

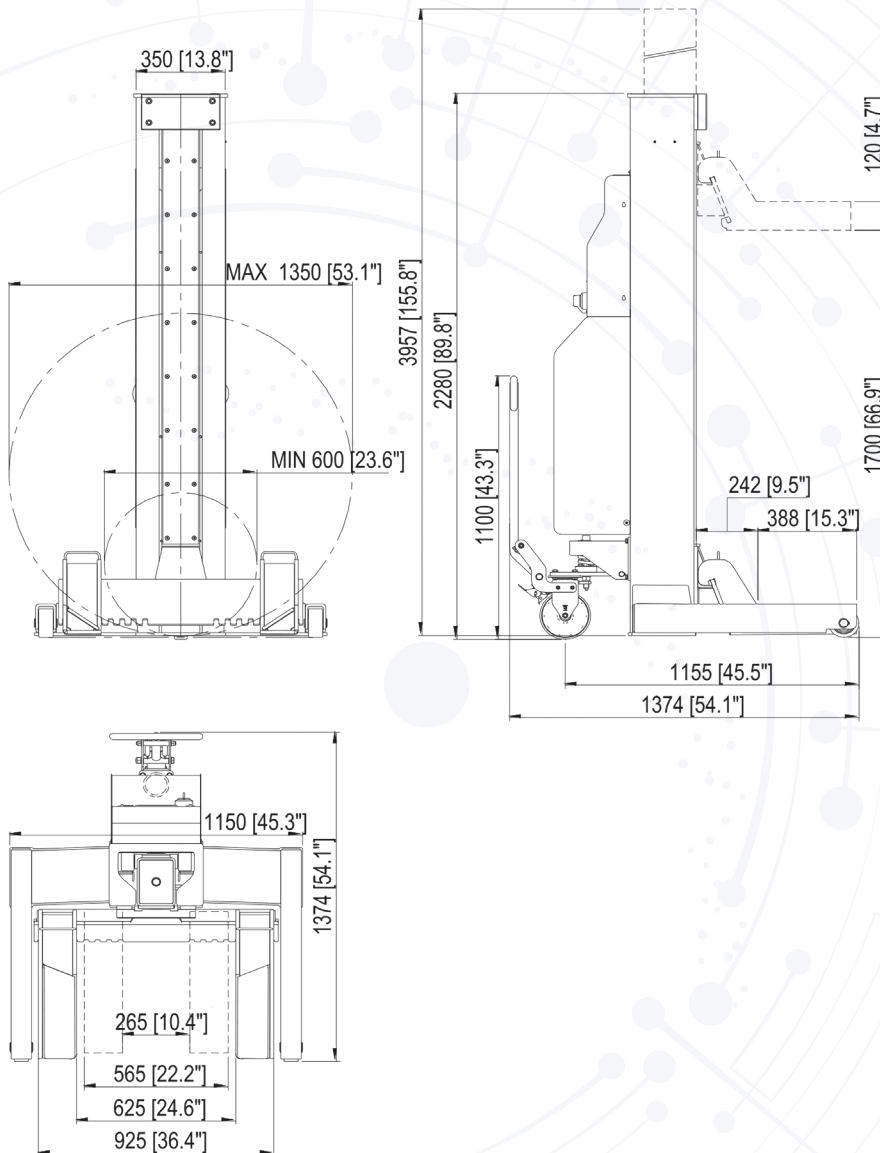
Tech Specs	LM86W
Lifting Capacity	8.6 T
Lifting Stroke	1,700 mm
Lifting Speed	20 mm/s
Height	2,280 mm
Width	1,150 mm
Depth	1,374 mm
Weight	750 kg

PRODUCT OF ITALY



Specifications/Images subject to change without prior notice. Images are for illustration purposes only. To validate warranty, proof of a valid maintenance contract will be required. Product of Italy

DESCRIPTION



PRODUCT OF ITALY



Specifications/Images subject to change without prior notice. Images are for illustration purposes only. To validate warranty, proof of a valid maintenance contract will be required. Product of Italy

